

**USER
MANUAL**

PUQ[®] **PRESS**

MODEL

M2

M3

M4

M5

1-210-0341-1



www.puqpress.com/manuals

⚠ WARNING

For more information see the extended manual online about safe installation and operation.

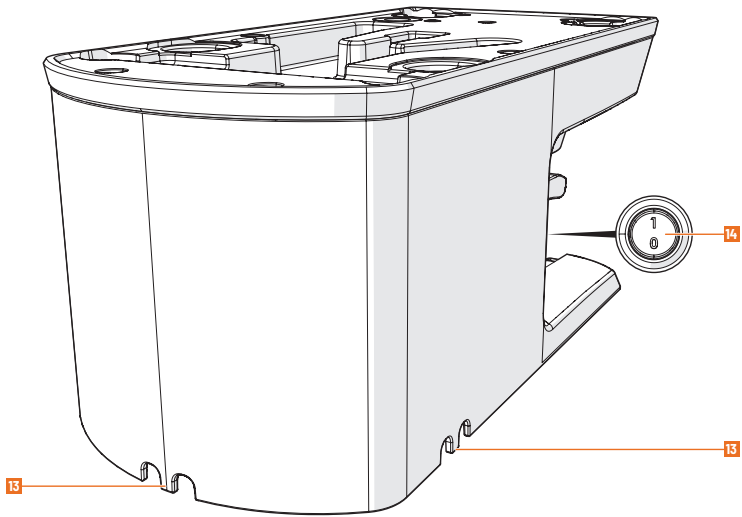
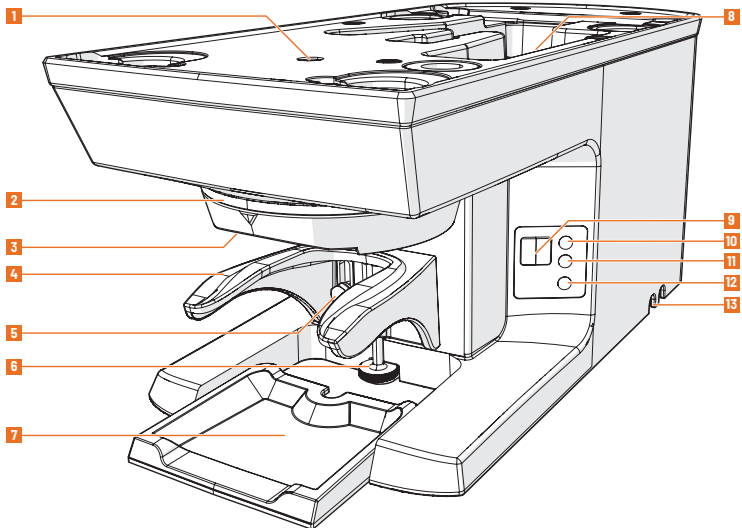


EN	User manual	10
NL	Gebruikshandleiding	22
KO	사용자 설명서	36
DE	Bedienungsanleitung	48
FR	Manuel utilisateur	62
ES	Manual de usuario	76
PT	Manual do utilizador	90
IT	Manuale d'uso	104
PL	Instrukcja obsługi	118
EL	Εγχειρίδιο χρήστη	131
RU	Руководство пользователя	145
JA	ユーザーマニュアル	159
ZH	用戶手冊	172
AR	مردخت سمرلا لىلد	195

EN Original manual

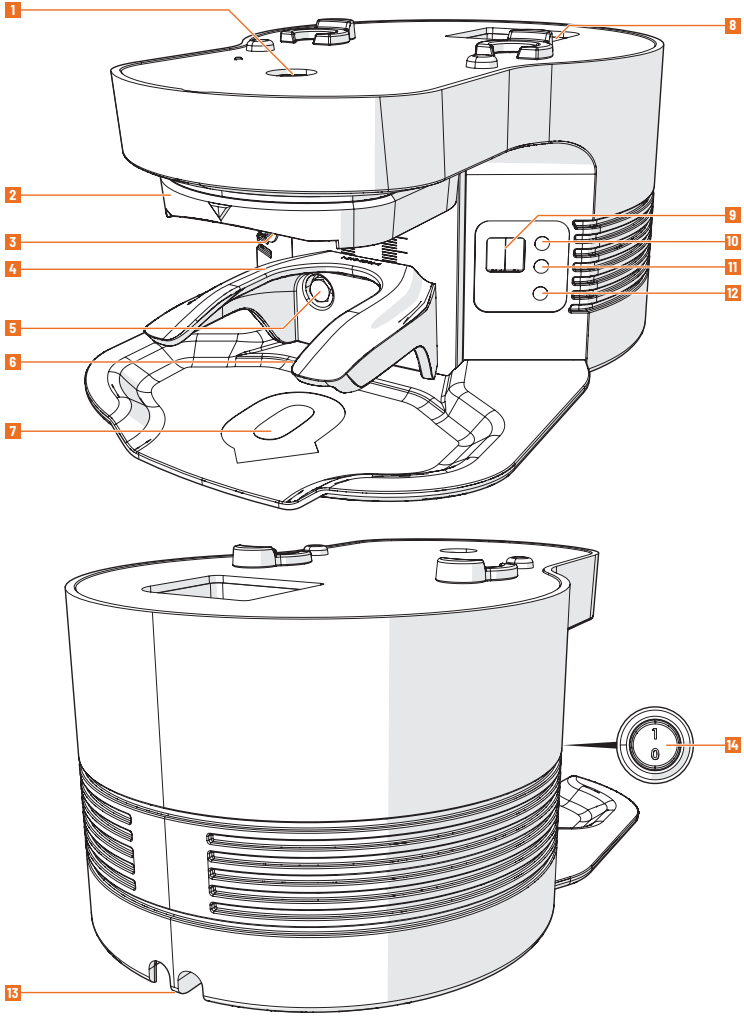
1

M2



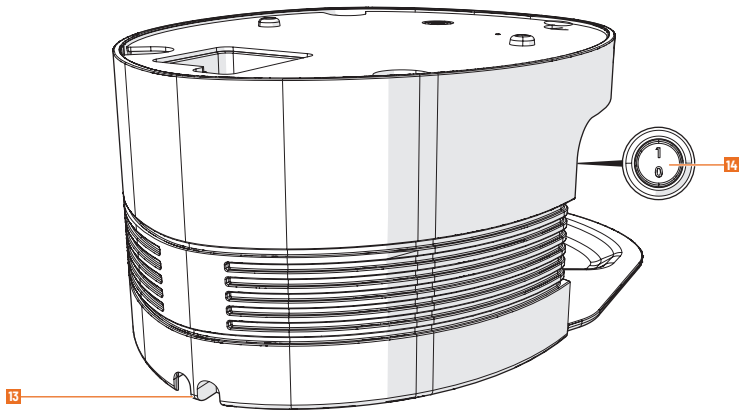
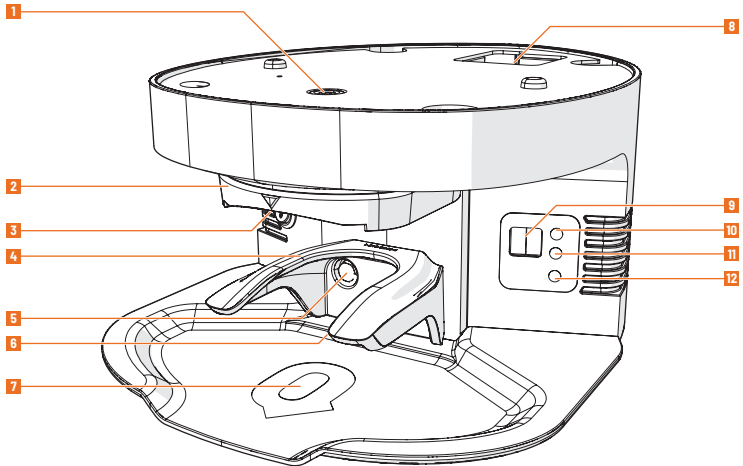
2

M3

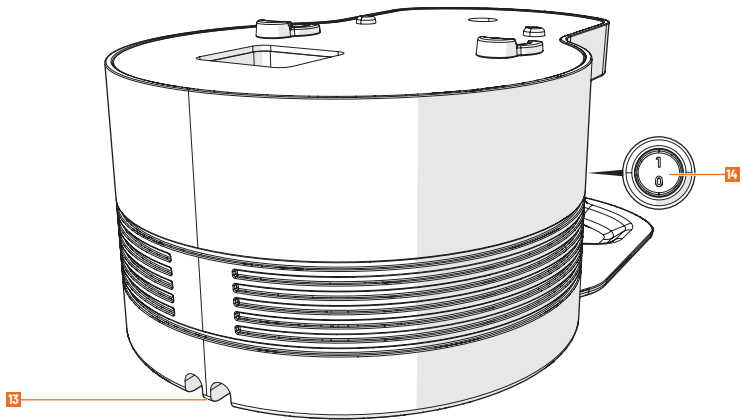
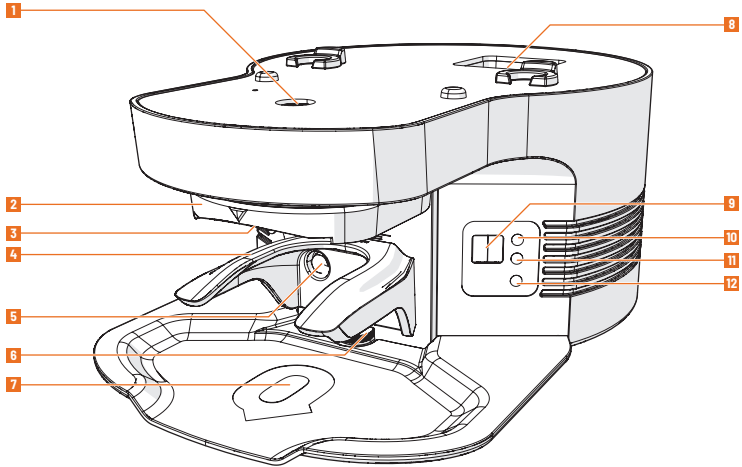


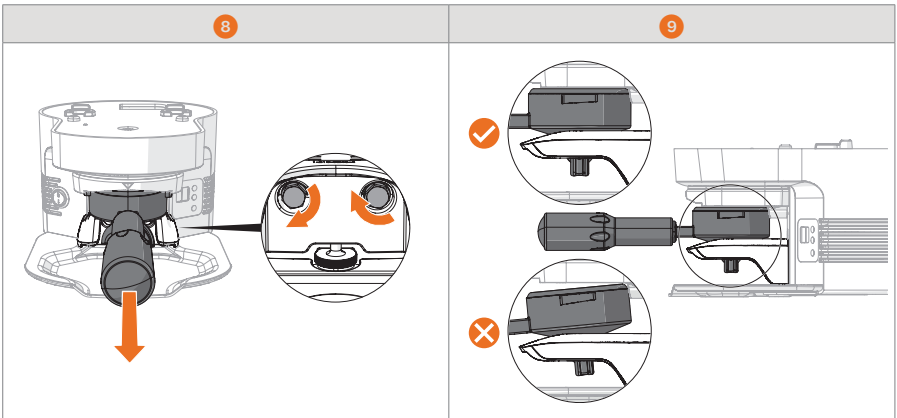
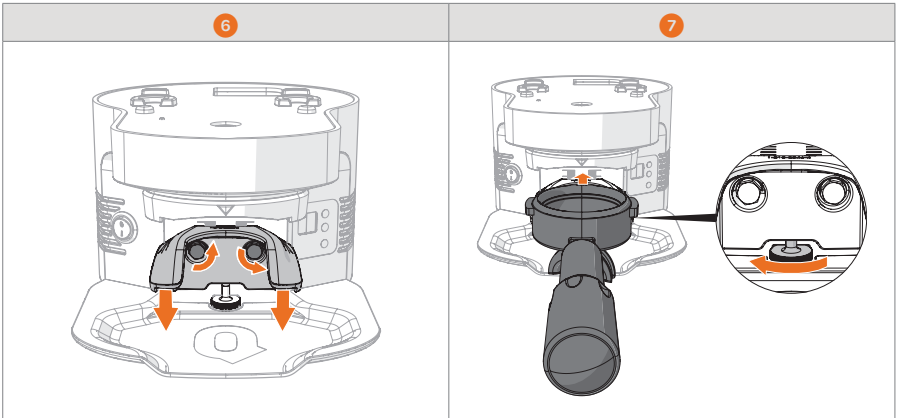
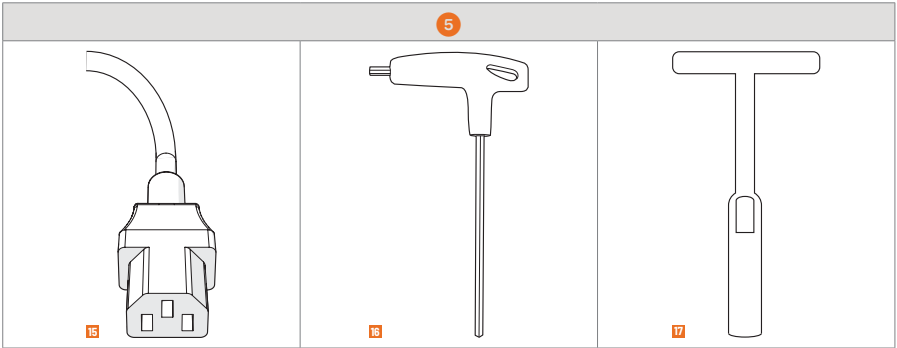
3

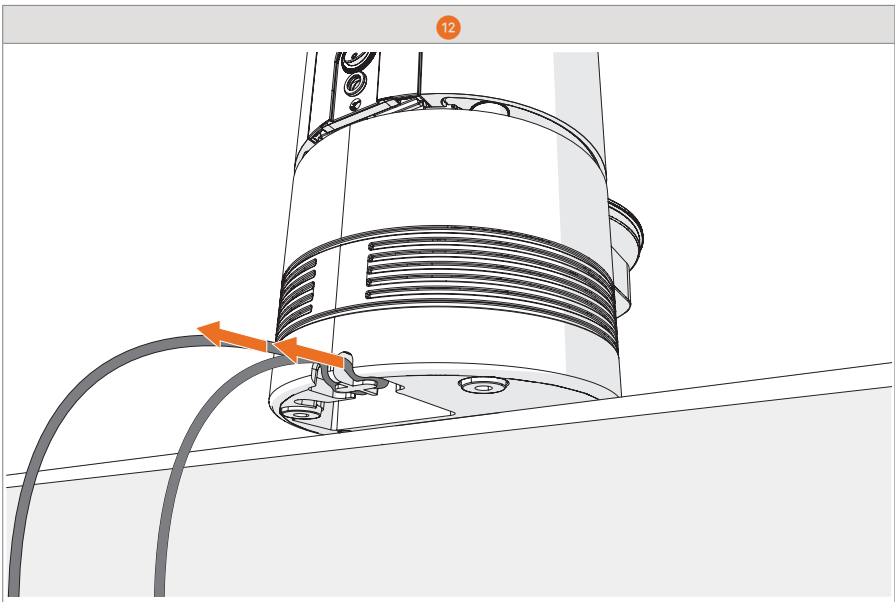
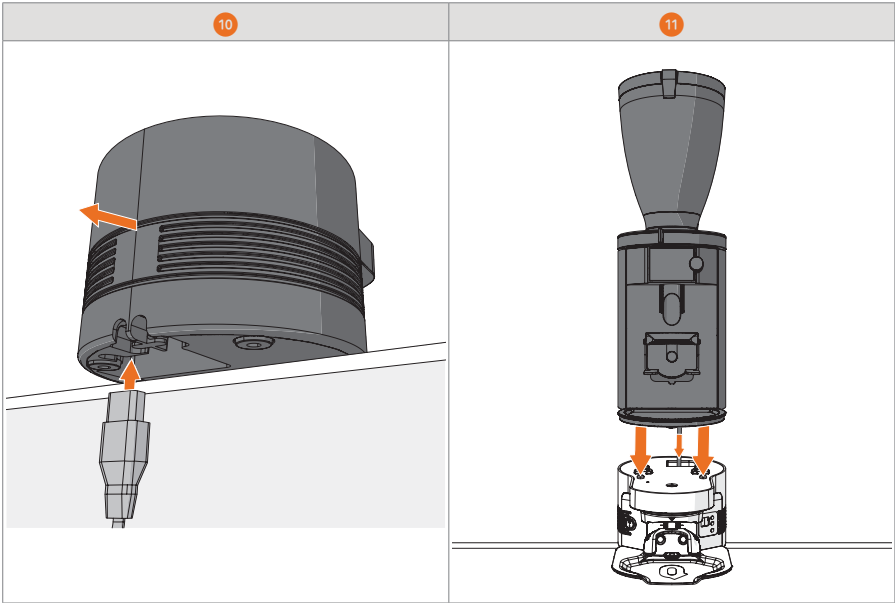
M4



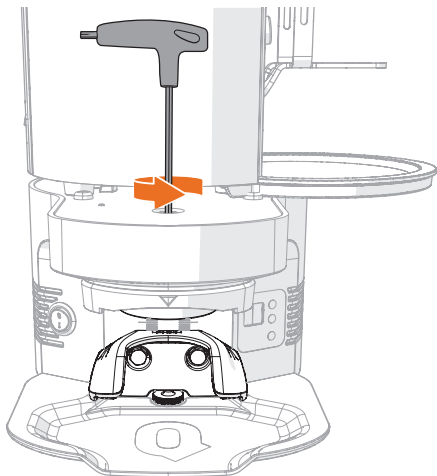
M5



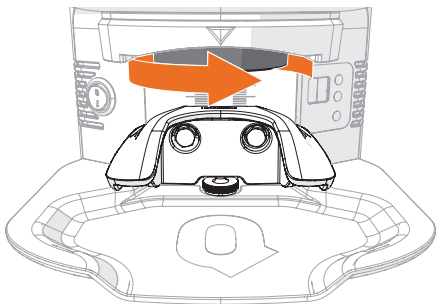




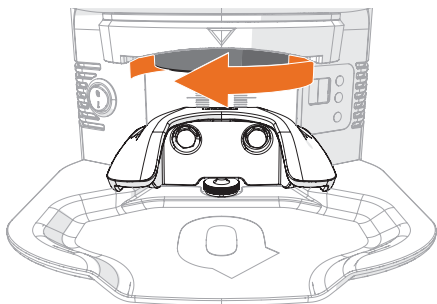
13



14



15



16

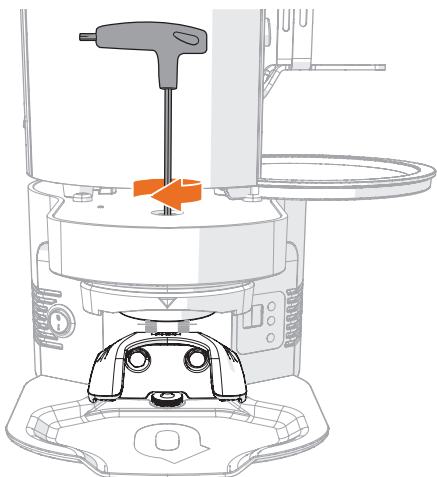


TABLE OF CONTENT

1 Introduction	10
1.1 Used symbols in this manual	10
1.2 Warranty	11
1.3 Disclaimer	11
2 Product description	11
2.1 Intended use	11
2.2 Specifications	12
2.3 Main parts	13
3 Safety	13
3.1 Safety instructions	13
3.2 Personnel requirements	14
3.3 Explanation of the symbols on the product and packaging	15
4 Installation	15
4.1 Preparation	16
4.2 Adjusting the port-a-filter clamp	16
4.3 Setting up the coffee grinder	16
4.4 Switching on the PUQpress	17
5 Operation	17
5.1 Preparation	17
5.2 Using the PUQpress	17
5.3 Adjusting the tamping force	17
5.4 Selecting the tamping mode	18
5.5 Checking the tamping cycle count	18
5.6 Checking the cleaning cycle count	18
5.7 Switching off the PUQpress	18
6 Maintenance	18
6.1 Preparation	19
6.2 Cleaning	19
6.3 Storing	19
6.4 Maintaining	20
7 Troubleshooting	20
8 Disposal	21

DEAR COFFEE ENTHUSIAST,

First off, we would like to congratulate you with your very own PUQpress and thank you for showing confidence in our product.

The PUQpress is a fully automatic tamper, developed by people with a passion for perfect coffee and elegant technology.

Our specialists have spent all their knowledge and devotion in developing the ultimate tool to standardise the tamping pressure, a crucial parameter for a perfect cup of coffee.

Please read this manual closely so you and your customers will enjoy the PUQpress to the fullest and store the manual away safely after reading. If anything remains unclear, please feel free to contact your authorized dealer or contact us directly.

We wish you all the fun and perfection with your new PUQpress!

Greetings from Amsterdam,
Barista Technology B.V.

1 INTRODUCTION

1.1 Used symbols in this manual

WARNING

WARNING indicates a hazardous situation which, if not avoided, could result in death or serious injury.

⚠ CAUTION

CAUTION indicates a hazardous situation which, if not avoided, could result in minor or moderate injury. CAUTION is also used to address practices not related to physical injury.

NOTICE

NOTICE indicates useful information.

1.2 Warranty

- The warranty period is 2 years from the date of purchase. Refer to the chapter 'Specifications' on the amount of tamping cycles covered by the warranty.
- The warranty covers all damages that can be attributed to inferior materials or defective workmanship. The corresponding PUQpress will be repaired or replaced free-of-charge, with the exception of transport or freight charges. Proper transport is the responsibility of the customer, so please try to avoid damages during a product return by correctly packing the PUQpress. Use the original packaging to return the PUQpress.
- This warranty does not cover damages which have occurred through:
 - improper usage,
 - improper maintenance,
 - lack of servicing,
 - usage for purposes other than those intended,
 - incorrect installation,

- breakage,
- natural wear or for reasons beyond our sphere of influence.
- In order to maintain the warranty, only original spare parts and accessory parts may be used.
- The manufacturer is in no way liable for consecutive or secondary damages.
- The warranty does not cover costs resulting from repairs conducted by non-authorized personnel.

1.3 Disclaimer

Copyright © 2020 Barista Technology B.V. All rights reserved. No part of this publication may be reproduced or transmitted in any form or by any means without the prior written permission of Barista Technology B.V. The information in this publication is proprietary to Barista Technology B.V.

2 PRODUCT DESCRIPTION

2.1 Intended use

The PUQpress is intended as a fully automatic coffee tamper.

Grounded coffee can be tampered with an adjustable force.

The PUQpress is intended for indoor use only.

Any modification of the PUQpress may have consequences for safety, warranty and proper functioning.

2.2 Specifications

Model	M2	M3	M4	M5
Voltage	100 – 240 VAC			
Frequency	50 – 60 Hz			
Power	76 W			
Dimensions	185 x 380 x 179 mm 7.3 x 15.0 x 7.0 inch	194 x 283 x 147 mm 7.6 x 11.1 x 5.8 inch	244 x 303 x 142 mm 9.6 x 11.9 x 5.6 inch	233 x 338 x 147 mm 9.2 x 13.3 x 5.8 inch
Weight	6.3 kg 13.9 lbs	4.6 kg 10.1 lbs	4.7 kg 10.4 lbs	5.5 kg 12.1 lbs
Tamping pressure	5 – 30 kg 11 – 66 lbs	5 – 30 kg 11 – 66 lbs	10 – 30 kg 22 – 66 lbs	5 – 30 kg 11 – 66 lbs
Operating temperature	0 °C – 70 °C 32 °F – 158 °F			
Storing temperature	-40 °C – 85 °C -40 °F – 185 °F			
Maximum inclination	0.5°			
Tamping cycle	1.5 seconds			
Tamper shape	Flat bottom			
Warranty	2 years			
Tamping cycles within the warranty	Unlimited cycles	Unlimited cycles	200,000 cycles	Unlimited cycles
Serial number	See tag plate on the bottom of the PUQpress			
Year built	See tag plate on the bottom of the PUQpress			
Tamper diameter	See tag plate on the bottom of the PUQpress			
Suitable coffee grinders	Mythos 1 Clima Pro, Victoria Arduino Mythos 1 Clima Basic, Victoria Arduino Mythos 1, Nuova Simonelli	Mahlkönig E65s, Mahlkönig E65s-Gbw	Fiorenzato F63KE, Fiorenzato F64E, Fiorenzato F64V0	Mahlkönig E80 Supreme
Optional coffee grinders*	Mythos 2, Nuova Simonelli		Fiorenzato F71KE, Fiorenzato F83E	

*Optional coffee grinders fit on the PUQpress models. However, the alignment of the housing is not optimal.

2.3 Main parts

See **1** for an overview of the main parts of the **M2**.

See **2** for an overview of the main parts of the **M3**.

See **3** for an overview of the main parts of the **M4**.

See **4** for an overview of the main parts of the **M5**.

See **5** for an overview of the main parts of the **M2/M3/M4/M5**.

1. Tamper base bolt
2. Upper clamp
3. Tamper base
4. Contactless sensor
5. Lower clamp
6. Lower clamp bolts
7. Adjustment wheel
8. Ground coffee basket
9. Power cable port
10. Display
11. Up button
12. Down button
13. Set button
14. Power cable entries
15. On/off switch
16. Power cable
17. T-wrench (10 mm)
18. Allen key (4 mm)

3 SAFETY

3.1 Safety instructions

⚠ WARNING

- Ensure you have fully read and understood the instructions in this document before you install or use the PUQpress. Keep this document for future reference.
- Only use the PUQpress as described in this document.
- The PUQpress can only be used by people aged from 18 years and above and persons with reduced physical, sensory or mental capabilities or lack of experience and knowledge if they have been given supervision or instruction concerning use of the PUQpress in a safe way and understand the hazards involved.
- Never let children play with the PUQpress. Not doing so may result in the PUQpress getting damaged.
- Cleaning and user maintenance shall not be made by children without supervision.
- Never immerse cables, plugs or the PUQpress itself into water or other liquids to avoid electric shock, or injury.
- Always switch off the PUQpress before performing maintenance or cleaning on the PUQpress to avoid electric shock, or injury.
- Always remove the plug from the outlet before performing maintenance or

cleaning on the PUQpress to avoid electric shock, or injury.

- Always unplug the PUQpress from the power source and other equipment if problems occur to avoid electric shock, or injury.
- Never use the PUQpress if the PUQpress, cable or plug is damaged. Any required repairs may only be conducted by authorized service personnel. For this reason, please contact a customer service repair facility or your dealer. Using the PUQpress if the PUQpress, cable or plug is damaged may result in electric shock, or injury.

CAUTION







- Always handle the coffee grinder with two people with care. Not doing so may result in the coffee grinder getting damaged.
- Always adjust the lower clamp before use. Not doing so results in exposure of dangerous moving parts.
- Never insert your hand (or other limbs) in between the PUQpress base and lower clamp. Risk to pinch.
- Never make any modifications or alterations to the PUQpress. The manufacturer holds no liability for damages resulting from failure to observe these instructions.
- Never drop the PUQpress and avoid bumping. Not doing so results in the PUQpress getting damaged.












- Never unplug the PUQpress by pulling the cable. Always grasp the plug and pull.
- Always place the PUQpress on a level, vibration-free surface.
- Never operate the PUQpress in moist or wet conditions.
- Make sure the port-a-filter (group handle) does not wiggle after adjusting.
- Make sure to guide the cables through the cable guide(s) and clip(s) on the bottom. Not doing so may result in the cables getting damaged.
- Make sure not to use a damp/wet cloth to clean the tamper base. Grounded coffee will stick to the tamper base.
- Never install the PUQpress in an area where a water jet can be used.
- Never clean the PUQpress with a jet of water.

3.2 Personnel requirements

The user of this PUQpress does not need special requirements. Ensure you have fully read and understood the instructions in this document before you install or use the PUQpress. Keep this document for future reference.

3.3 Explanation of the symbols on the product and packaging

	Electronic equipment needs to bear the CE mark in order to be marketed in the EU. CE marking shows that a product is assessed before being placed on the market and that it meets EU safety, health and environmental protection requirements. CE marking is also sometimes accepted as a means of compliance with type-approval requirements; for example, electronic components that require type-approval and also CE marking for electromagnetic compatibility (EMC) or low-voltage equipment.
	Indication that the PUQpress is an Electrical class I product, with provided means for the connection of conductive parts (which are not live parts) to the protective (earthing) conductor in the fixed wiring in such a way that these parts cannot become live in the event of a failure of the basic insulation.
	Indication that the PUQpress is fragile.
	Indication that the PUQpress must be kept dry.
	Indication that the PUQpress must be handled with care.
	Indication that the packaging of the PUQpress must be handled this way up.

	Read the manual before use.
	Indication to explain that the PUQpress is NSF certified.
	Indication to explain that the PUQpress is EAC certified.
	Indication to explain that the PUQpress is NOM certified.
	Indication to explain that the PUQpress is cETLus Intertek certified.
	Indication to explain that the PUQpress is ETL Intertek certified.
	For M3/M4/M5 only: Indication to explain that the PUQpress is Intertek sanitation certified.
	Indication to explain that the PUQpress is PSE certified.
	Indication to explain that the PUQpress is KC certified.
	Indication to explain that the PUQpress needs to be collected separately when disposed. Do not throw in the trash bin.
	Indication to explain that the packaging can be recycled.

4 INSTALLATION

You have received your PUQpress in operating condition. Now you only need to adjust the port-a-filter, create the set-up with your coffee grinder and switch on the

PUQpress. Refer to the chapter ‘Safety instructions’ for more information.

4.1 Preparation

4.1.1 Checking the contents

Check that all parts are present and that no damage is visible on the parts. If parts are missing or damaged, contact your dealer or your authorised customer service centre.

4.1.2 Tools and materials

Required tools and materials

- Port-a-filter (group handle)

Provided tools and materials

- T-wrench

4.2 Adjusting the port-a-filter clamp


The PUQpress is designed so that all different port-a-filters from various espresso machines fit into the clamp for even and level tamping.




CAUTION

Always adjust the lower clamp before use. Not doing so results in exposure of dangerous moving parts.

NOTICE



Make sure to adjust the lower clamp before use. Not doing so can result in uneven and unlevelled tamping.

1. Slightly loosen the bolts of the lower clamp. Use the provided T-wrench. 


2. Pull down the lower clamp. 
3. Insert the port-a-filter between the upper and lower clamp. 
4. Rotate the adjustment wheel clockwise to move the lower clamp up against the port-a-filter. 
5. Slightly fasten the bolts of the lower clamp. Use the provided T-wrench.

NOTICE

Make sure not to fasten the bolts entirely.

6. Remove the port-a-filter. 
7. Fasten the bolts of the lower clamp with the T-wrench. 
8. Insert the port-a-filter between the upper and lower clamp and check if the port-a-filter slides in easily.
9. If the port-a-filter slides in too easily, start again at step 1..



CAUTION

Make sure the port-a-filter (group handle) does not wiggle after adjusting. 

4.3 Setting up the coffee grinder

CAUTION

Always place the PUQpress on a level, vibration-free surface.

1. Slide the back of the PUQpress over the edge of the table or bar where you want to set-up. 
2. Plug the power cable into the PUQpress. 

3. Lift the coffee grinder with two people and guide the power cable of the coffee grinder from the top to the bottom of the PUQpress. **11**
4. Place the coffee grinder on the PUQpress. **11**
5. Guide the power cables of the PUQpress and the coffee grinder through a power cable entry. **12**

⚠ CAUTION

Make sure to guide the cables through the cable guide(s) and clip(s) on the bottom. Not doing so may result in the cables getting damaged.

6. Carefully slide the set-up back onto the bar or table.

4.4 Switching on the PUQpress

⚠ WARNING

Never use the PUQpress if the PUQpress, cable or plug is damaged. Any required repairs may only be conducted by authorized service personnel. For this reason, please contact a customer service repair facility or your dealer. Using the PUQpress if the PUQpress, cable or plug is damaged may result in electric shock, or injury.

1. Plug the other side of the power cable into a socket and/or (wall) outlet.
2. Switch on the PUQpress by setting the **on/off switch** to I.

5 OPERATION

Your PUQpress is now in operating condition. Now you only need to use PUQpress and adjust the settings to create perfect coffee! Refer to the chapter 'Safety instructions' for more information.

5.1 Preparation

5.1.1 Tools and materials

Required tools and materials

- Port-a-filter (group handle) with grounded coffee

5.2 Using the PUQpress

1. Level the grounded coffee in the port-a-filter.
2. Insert the port-a-filter between the upper and lower clamp.
3. The PUQpress automatically starts tamping the coffee. The contactless sensor detects the metal port-a-filter.
4. Wait until the PUQpress has tamped the coffee.
5. Remove the port-a-filter after a full cycle of approximately 1.5 seconds.

5.3 Adjusting the tamping force

Adjust the tamping force by using the display and the buttons.

1. Press the **up button** to increase the force.
2. Press the **down button** to decrease the force.

NOTICE

The force is displayed in kilograms (kg) or pounds (lbs).

5.4 Selecting the tamping mode

1. Press and hold the **set button** for 5 seconds.
2. Use the **up** and **down button** to adjust the setting.
3. Choose between the following settings:

M2/M3/M5		
Code	Setting	Explanation
P0	SPEEDY	Normal tamping speed 1.5 seconds
P1	PRECISE	Slow retraction of the tamber base
P2	SOFT	Slow retraction of the tamber base, lower tamping force (5 - 15 kg)
P3	HULK	Triple tamp
P4	SINGLE	Single tamp

M4		
Code	Setting	Explanation
P0	SPEEDY	Normal tamping speed 1.5 seconds
P1	PRECISE	Slow retraction of the tamber base
P2	SINGLE	Single tamp

4. Press the **set button** to confirm the setting.

5.5 Checking the tamping cycle count

1. When the PUQpress is not in use, press and hold the **up** and **down button** for 3 seconds.
2. The display flashes a number for 5 seconds. Multiply this number by 5,000 to get the tamping cycle count.

5.6 Checking the cleaning cycle count

1. Press the **set button**.
2. Press and hold the **up** and **down button** for 3 seconds when the PUQpress is in clean modus.
3. The display flashes a number for 5 seconds. Multiply this number by 20 to get the cleaning cycle count.

5.7 Switching off the PUQpress

1. Switch off the PUQpress by setting the **on/off switch** to 0.
2. Unplug the power cable out of the socket and/or (wall) outlet.
3. Unplug the power cable out of the PUQpress.

6 MAINTENANCE

Your PUQpress is now in use. Now you only need to maintain the PUQpress to keep creating the perfect coffee! Refer to the chapter 'Safety instructions' for more information.

6.1 Preparation

6.1.1 Tools and materials

Required tools and materials

- Allen key

Provided tools and materials

- Brush
- Damp cloth
- Dry cloth

6.2 Cleaning

Clean the housing of the PUQpress with a damp cloth.

Refer to the table for an overview of the cleaning intervals.

NOTICE

Make sure to clean the parts of the PUQpress following the cleaning intervals. Not doing so may result in parts of the PUQpress getting damaged.

Part	Cleaning method	Cleaning interval
Tamper base (bottom)	Dry cloth	Daily
Tamper base (whole)	Dry cloth	Weekly
Upper clamp cavity (when tamper base is removed)	Dry cloth	Weekly
Contactless sensor	Brush	Weekly

6.2.1 Cleaning the tamper base

Clean the tamper base regularly:

1. Press the **set button**. The tamper base moves down in the cleaning position.
2. Turn the coffee grinder 90 degrees.
3. Unscrew the tamper base bolt by turning the Allen key counter-clockwise. **13**
4. Remove the bolt.
5. Unscrew the tamper base by turning it counter-clockwise. **14**
6. Clean the tamper base using a brush or dry cloth.

⚠ CAUTION

Make sure not to use a damp/wet cloth to clean the tamper base. Grounded coffee will stick to the tamper base.

7. Screw the tamper base back by turning it clockwise. **15**
8. Place the bolt.
9. Screw the bolt back by turning the Allen key clockwise. **16**
10. Turn the coffee grinder back to the original position.
11. Press the **set button** again. The tamper base moves upwards to the original position.

6.3 Storing

Store the PUQpress indoors in a dry and secure location, out of reach of children.

6.4 Maintaining

6.4.1 Servicing

Any required repairs may only be conducted by authorized specialist personnel. For this reason, please contact a customer service repair facility or your dealer. Refer to the safety instructions in chapter 'Safety instructions'.

It is advised to conduct all maintenance and repairs by a customer service centre or your dealer.

If you have a new espresso machine with a different tamper diameter, please contact your local dealer. They can provide a new tamping base and upper clamp and interchange these parts.

There are two types of upper clamps available. Which clamp you should use depends on the diameter range of the tamper base:

- Upper clamp 1: 53 – 55 mm
- Upper clamp 2: 56 – 59 mm

If the filter basket diameter of your new espresso machine falls within the other range as the one your PUQpress is suitable for, both the upper clamp and the tamper base need to be changed. If it falls within the same range, only the tamper base needs to be changed.

6.4.2 Ordering spare parts

Spare parts can be ordered from your customer service centre or your local dealer. To ensure quick and correct processing of your order, the following information is essential:

- Serial number
- Description of the part to be replaced. Use the same name as the part is specified as in chapter 'Main parts'.


7 TROUBLESHOOTING

Problem	Cause(s)	Solution(s)
Ground coffee sticks to the tamper base.	The tamper base is greasy or dirty.	Clean the tamper base.
	The tamper base is wet.	Dry the tamper base.
The PUQpress does not start, the display does not work.	The power cable is not inserted in the PUQpress.	Plug the power cable into the PUQpress.
	The power cable is not plugged into the socket and/or (wall) outlet.	Plug the power cable into the socket and/or (wall) outlet
	The power cable is not correctly plugged into the socket and/or (wall) outlet.	Unplug the power cable and correctly plug the power cable into the socket and/or (wall) outlet.
	The socket and/or (wall) outlet is not functioning.	Unplug the power cable and try another socket and/or (wall) outlet.

Tamping does not start while the clean modus is working properly.	The sensor does not detect a port-a-filter because the port-a-filter is not inserted completely.	Re-adjust the port-a-filter clamp.
The tamped coffee is not levelled after tamping.	The coffee grounds are not levelled before using the PUQpress.	Level the ground coffee in the port-a-filter before tamping.
	The port-a-filter does not fit snug/wiggles during tamping.	Re-adjust the lower clamp.
Tamping does not start while the PUQpress is on and the display is working.	The contactless sensor is faulty.	Contact the dealer to replace the contactless sensor.
The drive unit makes weird noises.	The drive unit (e-motor and gears) is worn out.	Contact the dealer to replace the drive unit. Specify the amount of tamping cycles the drive unit has performed. This informs the dealer whether the replacement of the drive unit is covered by the warranty or if the replacement is maintenance.

In case of other malfunctions or continued faults, please contact your dealer or your authorised customer service centre.

8 DISPOSAL

	<p>This symbol indicates that the PUQpress should not be thrown away with other household waste throughout the EU. To prevent possible harm to the environment or human health by uncontrolled waste disposal, you are responsible for recycling it so that it can promote the sustainable reuse of raw materials. To return your used PUQpress, you can use the regular return and collection systems or contact the dealer where the PUQpress was purchased. They can recycle the PUQpress for the environment.</p>
------------------------------------------------------------------------------------	-----------------------------------------------------------------------------------------------------------------------------------------------------------------------------------------------------------------------------------------------------------------------------------------------------------------------------------------------------------------------------------------------------------------------------------------------------------------------------------------------------------------------

Dispose of the PUQpress following the locally applicable regulations or return the PUQpress to your dealer. Use the original packaging to return the PUQpress.